

# SHUT OFF VALVE

## Series GS2

Cat No GS2 - 01 - 01

### SHUT OFF VALVE - G1/4, G3/8, G1/2

#### Features

- ❑ Connecting thread at both ends
- ❑ Connection - G1/4, G3/8, G1/2
- ❑ Modular mounting with FRL



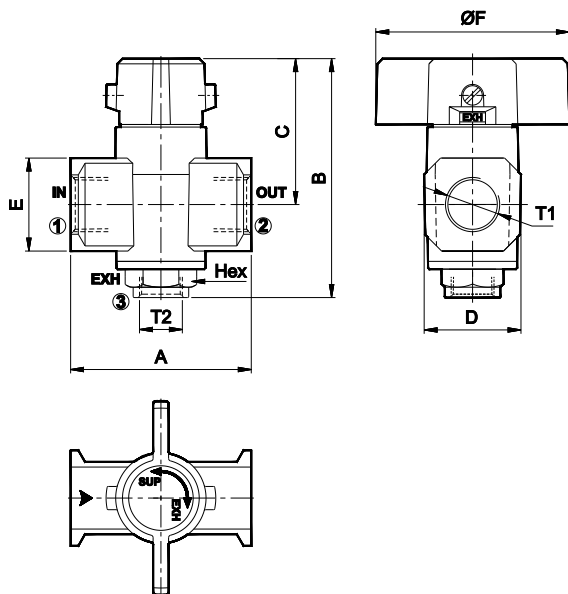
#### Function

- a. Opening and closing of airline with relieving of the down stream pressure.
- b. A window display to show the valve position when the valve is On condition (or) Exhaust condition.

#### Technical Specifications

Port size	G1/4	G3/8	G1/2	
Type	3/2			
Operating pressure range	0 - 10 bar			
Ambient Temperature	5° - 60° C			
Flow @ (lpm)	1 → 2	1000	2200	3250
	2 → 3	450	1100	1600
Materials of construction	Aluminium, Brass, Nitrile			

@ Inlet pressure 6 bar, and pressure drop 1 bar



Sl. No	Ordering No.	T1	T2	Hex	A	B	C	D	E	ØF
1	GS245H61	G1/4	G1/8	17	45	73	43	28.5	22	40
2	GS246H62	G3/8	G1/4	19	55	85	52	32.5	28	55
3	GS247H63	G1/2	G3/8	24	70	94	56.5	37.5	36	75

#### How to Order

While ordering Shut off valve, mention the ordering number given in the corresponding tables.

Subject to change