

AIR PREPARATION UNITS

REGULATOR WITH TAMPER PROOF - Series R1

Cat No R1T - 01 - A

AIR REGULATOR WITH TAMPER PROOF - 1/8, 1/4, 3/8, 1/2, 3/4, 1

Features

- Conforms to ISO 6953 - 1
- Suitable for panel and modular mountings
- Non raising 'Press to Lock' adjusting knob for locking at any set pressure
- Diaphragm operated, relieving type
- Pressure compensated by Balanced poppet.
- Flow compensated in models R14, R15 and R17 (with venturi) for faster response
- Good flow and regulating characteristics.
- Tamper proof (Setting secured via screw on knob)



Function

- a. Prevents ordinary hand adjustments
- b. Outlet pressure settings remain unchanged. These regulators give extra level of security. (Set the desired outlet pressure and lock with screw to prevent further adjustment.)

Technical Specifications

Model	R13...T	R14...T	R15...T	R17...T	R17...T
Medium	Compressed air - Filtered				
Port size	G1/4	G3/8	G1/2	G3/4	G1
Pressure gauge port size	G1/8	G1/8	G1/8	G1/4	G1/4
Flow rate (lts / min) [@]	600	2500	4000	5000	6000
Maximum supply pressure (bar)	15				
Regulating pressure range [#] (bar)	0.2 - 2, 0.2 - 4, 0.5 - 7, 0.5 - 10 (Standard)				
Ambient / Medium temperature	5° - 60° C				
Installation	Any position				
Materials of construction	Aluminium, Brass, Steel, Acetal, SS, Nitrile				
Optional accessories [*]	Clamp, Modular mounting kit, Pressure gauge				
Weight (Kg)	0.15	0.40	0.90	1.4	1.3

[@] Supply pressure 7 bar , Set pressure 6 bar , Pressure drop $\Delta p = 1\text{bar}$ (For standard models)

[#] For details see " How to order "

^{*} For details refer optional accessories Cat No APA - 01 - C

Precautions

1. Note the direction of flow before installation and connect piping accordingly.
2. Flush pipings for dirt, dust, rust and other foreign particles.
3. Install in clean atmosphere.
4. Nipples of taper threads (R) to be used with teflon tape. Ensure teflon tape does not enter the unit during tightening.
Nipples of straight threads (G) to be used with sealing washer.

Pressure Setting

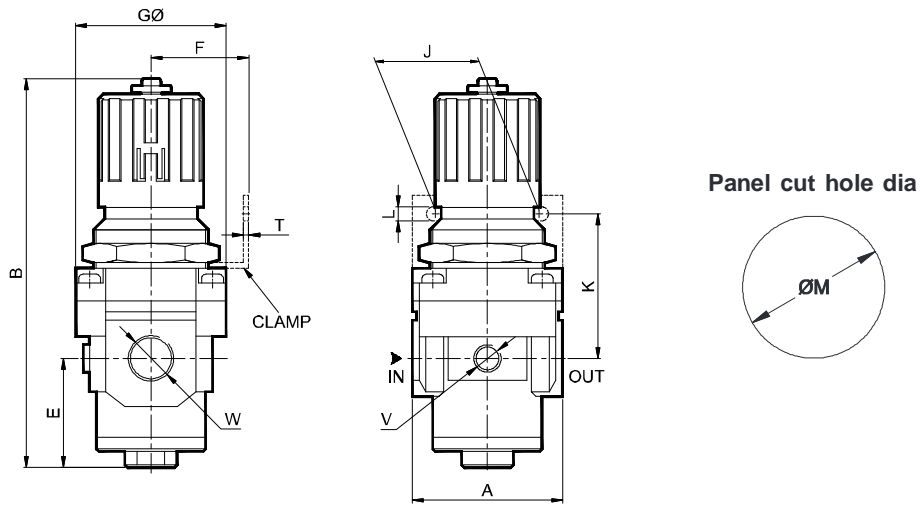
Loosen the screw provided on the top of the knob.

Pull the knob and adjust by turning the knob clockwise to increase the pressure. Push the knob back to its locked position, and tighten the screw on knob. (Turning the knob counter clockwise will reduce the pressure)

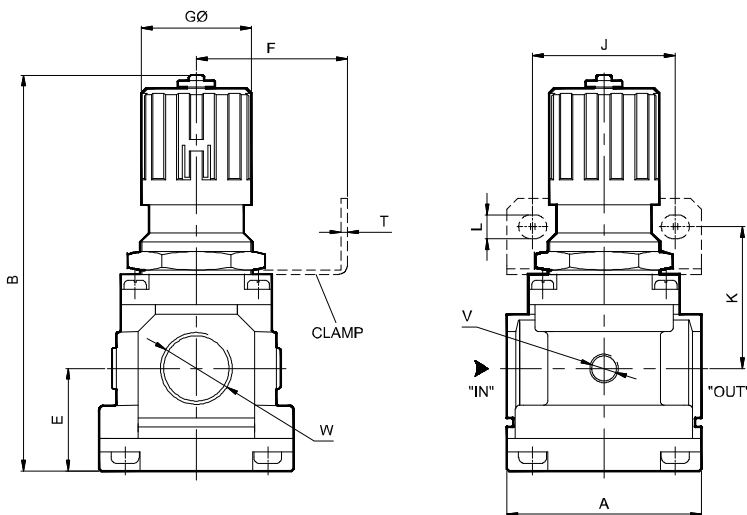
AIR PREPARATION UNITS
REGULATOR WITH TAMPER PROOF - Series R1

Cat No R1T - 01 - A

Model R13, R14, R15 - T



Model R17 - T



Model	W	V	A	B	E	F	GØ	J	K	L	T	ØM
R13-T	G1/8, G1/4	G1/8	SQ 40	86	13	30	28	28	45	5.5	2	31
R14-T	G1/4, G3/8	G1/8	SQ 55	142	40	40	40	40	53	6.5	2	43
R15-T	G1/4, G3/8, G1/2	G1/8	SQ 70	170	40	50	51	55	62	8.5	2	53
R17-T	G3/4	G1/4	SQ 90	183	47.5	70	51	66	65	11	5	53
R17-T	G1	G1/4	SQ 90	183	47.5	70	51	66	65	11	5	53

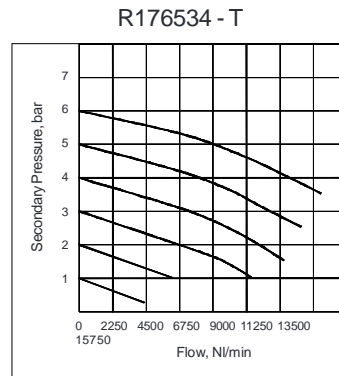
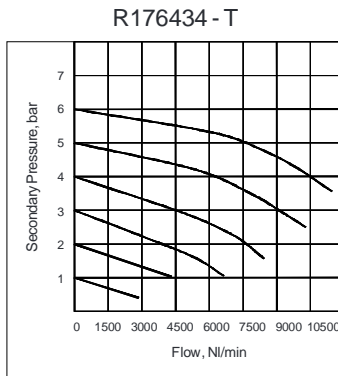
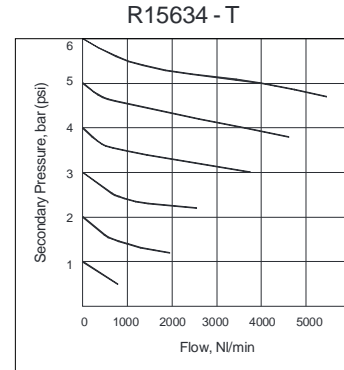
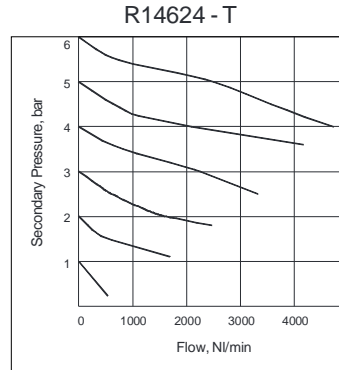
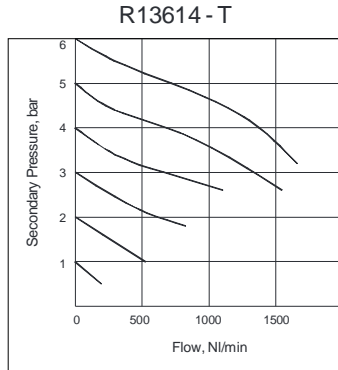
For Details of Clamp see optional accessories Cat No APA - 01 - C

AIR PREPARATION UNITS

REGULATOR WITH TAMPER PROOF - Series R1

Cat No R1T - 01 - A

Flow Graphs



Flow graphs are for 40µm filtrations and 10 bar pressure.

How to order

R1

Body & Port size	
360	G1/8
361	G1/4
461	G1/4
462	G3/8
561	G1/4
562	G3/8
563	G1/2
764	G3/4
765	G1

Pressure range	
1	0.2 - 2 bar
2	0.2 - 4 bar
3	0.5 - 7 bar
4	0.5 - 10 bar (Standard)

Tamper proof	
T	Tamper proof

Ordering Example :- Regulator - 3/8 size (with G3/8 port), with pressure range 0.5 - 7 bar with Tamper proof : Ordering No : R14623-T.
If ordered as 3/8 Regulator, our standard model R14624, G3/8 with pressure range 0.5 -10 bar will be supplied.

Subject to change