

AIR PREPARATION UNITS

LUBRICATOR Series L1

Cat No L1 - 02 - C

LUBRICATOR - 1/8, 1/4, 3/8, 1/2, 3/4, 1"

Features

- Conforms to ISO 6301 - 1
- Suitable for Modular mounting
- Fog / Mist type
- Fine adjustment of lubrication
- Steel bowl guard, bayonet type on L14, L15 & L17 models and threaded type on L13 mode
- Lubrication proportional to flow



Technical Specifications

Model	L13	L14	L15	L17	L17
Medium	Compressed air - Filtered				
Port size	NPT 1/8 (G1/8) NPT 1/4 (G1/4)	NPT 1/4 (G1/4) NPT 3/8 (G3/8)	NPT 1/4 (G1/4) NPT 3/8 (G3/8) NPT 1/2 (G1/2)	NPT 3/4 (G3/4)	NPT 1 (G1)
Flow rate in scfm (NI / min) @	15.93 (455) 47.25 (1350)	46.55 (1330) 105 (3000)	47.25 (1350) 114.5 (3270) 197.8 (5650)	254.3 (7200)	317.8 (9000)
Max supply pressure in psi (bar)	140 (10)				
Ambient / Medium temperature	41° - 120° F (5° - 50° C)				
Min operating flow in scfm (NI/min)	0.424 (12)	1.41 (40)	1.6 (45)	1.75 (50)	1.75 (50)
Bowl capacity in ounce (ml) (at maximum condensate level)	0.68 (20)	1.98 (57)	5.13 (152)	6.8 (200)	6.8 (200)
Recommended oil	ISO VG 32 (Servo System 32)				
Bowl material	Polycarbonate				
Installation	Vertical (as in the picture)				
Materials of construction	Aluminium, Bronze, Steel, Acetal, Polycarbonate, SS, Nitrile				
Optional accessories *	Clamp, Modular mounting kit				
Weight in lb (Kg)	0.42 (0.19)	0.66 (0.30)	1.23 (0.56)	2.86 (1.3)	2.65 (1.2)

@ Supply pressure 85 psi (6 bar) , pressure drop $\Delta p = 7$ psi (0.5 bar) (For standard models).

* For details refer optional accessories Cat No APA - 02 - C

Precautions

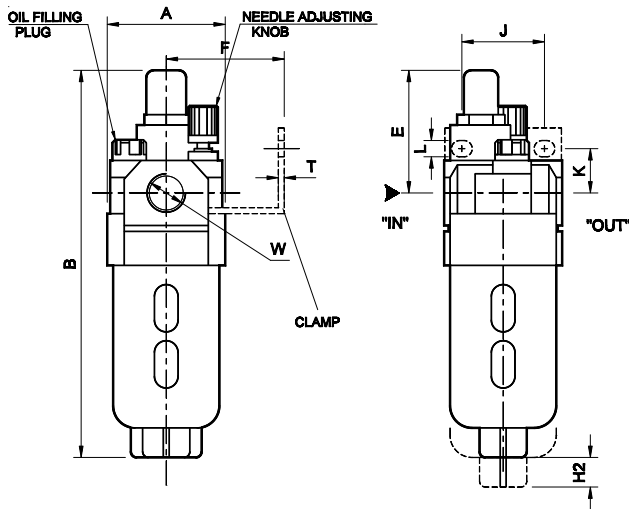
1. Note the direction of flow before installation and connect piping accordingly.
2. Flush pipings for dirt, dust, rust and other foreign particles.
3. Install in clean atmosphere.
4. Nipples of taper threads (R) to be used with teflon tape. Ensure teflon tape does not enter the unit during tightening. Nipples of straight threads (G) to be used with sealing washer.
5. Polycarbonate bowls may get damaged and possibly fail if exposed to synthetic oils, thinner, solvents, trichloroethylene, kerosene or other aromatic hydrocarbons.
6. Oil may be filled when under pressure. However it is recommended to vent the air completely before filling the oil.

AIR PREPARATION UNITS

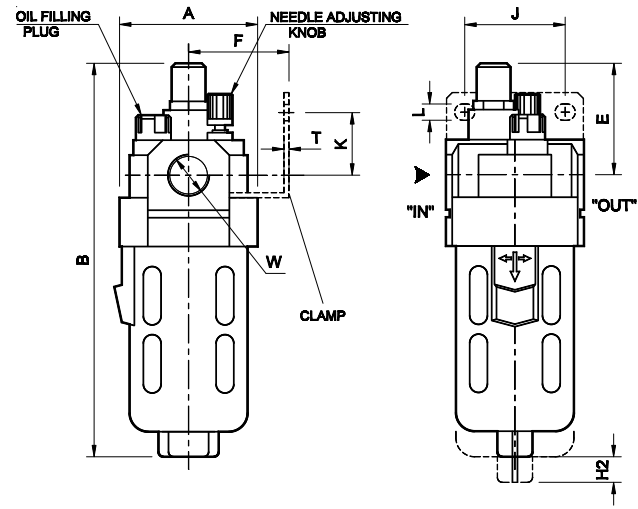
LUBRICATOR Series L1

Cat No L1 - 02 - C

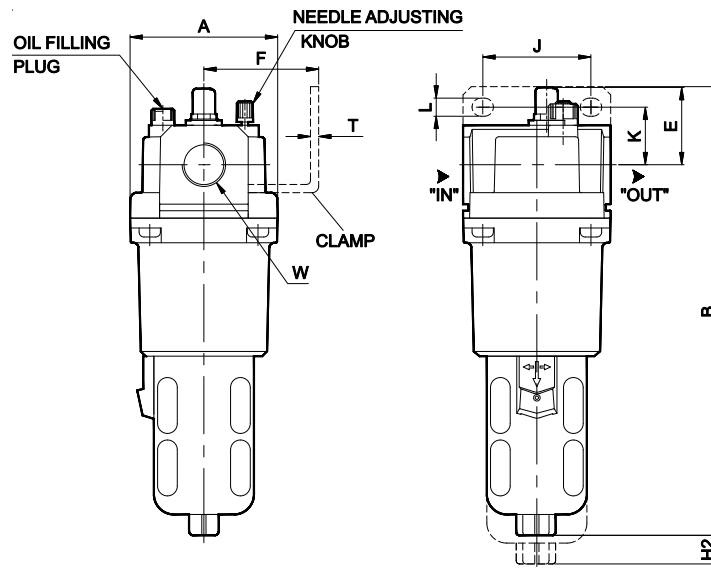
Model L13



Model L14 & L15



Model L17



Model	W		A	B	E	F	J	K	L	T	H2
L13	NPT 1/8 (G1/8) NPT 1/4 (G1/4)	Inch (mm)	SQ 1.575 (40)	5.315 (135)	1.653 (42)	1.181 (30)	1.968 (28)	0.59 (15)	0.216 (5.5)	0.079 (2)	1.378 (35)
L14	NPT 1/4 (G1/4) NPT 3/8 (G3/8)	Inch (mm)	SQ 2.165 (55)	6.181 (157)	1.732 (44)	1.575 (40)	1.575 (40)	0.984 (25)	0.256 (6.5)	0.079 (2)	1.772 (45)
L15	NPT 1/4 (G1/4) NPT 3/8 (G3/8) NPT 1/2 (G1/2)	Inch (mm)	SQ 2.756 (70)	7.480 (190)	1.811 (46)	1.968 (50)	2.165 (55)	0.984 (25)	0.335 (8.5)	0.079 (2)	1.772 (45)
L17	NPT 3/4 (G3/4)	Inch (mm)	SQ 3.543 (90)	10.748 (273)	1.850 (47)	2.756 (70)	2.598 (66)	1.378 (35)	0.433 (11)	0.197 (5)	1.772 (45)
L17	NPT 1 (G1)	Inch (mm)	SQ 3.543 (90)	10.748 (273)	1.850 (47)	2.756 (70)	2.598 (66)	1.378 (35)	0.433 (11)	0.197 (5)	1.772 (45)

For Details of Clamp see optional accessories Cat No APA - 02 - C

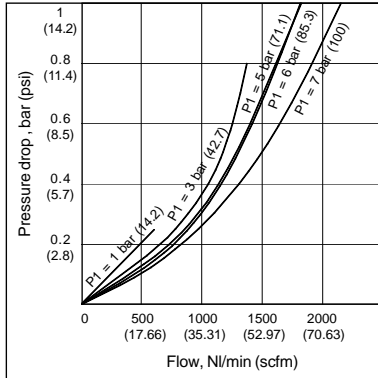
AIR PREPARATION UNITS

LUBRICATOR Series L1

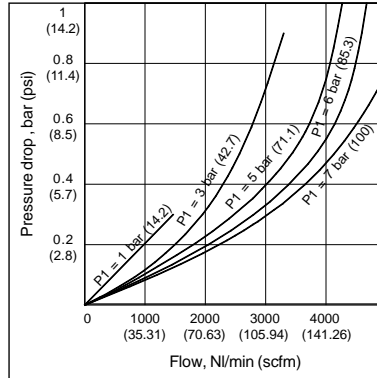
Cat No L1 - 02 - C

Flow Graphs

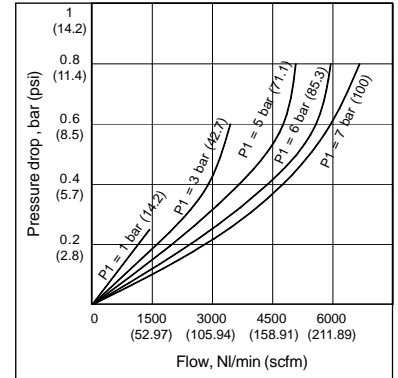
1/4" LUBRICATOR



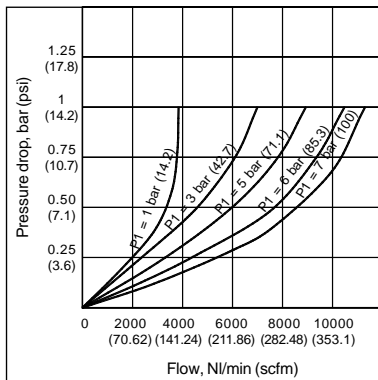
3/8" LUBRICATOR



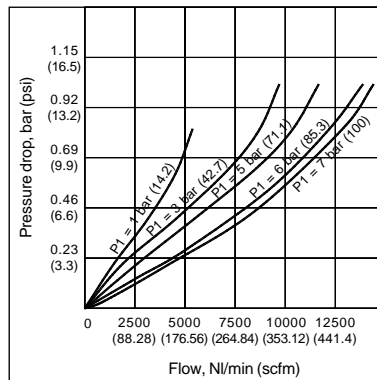
1/2" LUBRICATOR



3/4" LUBRICATOR



1" LUBRICATOR



How to order

L1

Body & Port size

390 (360)	NPT1/8 (G1/8)
391 (361)	NPT1/4 (G1/4)
491 (461)	NPT1/4 (G1/4)
492 (462)	NPT3/8 (G3/8)
591 (561)	NPT1/4 (G1/4)
592 (562)	NPT3/8 (G3/8)
593 (563)	NPT1/2 (G1/2)
794 (764)	NPT3/4 (G3/4)
795 (765)	NPT1 (G1)

Principle of Operation

A part of the air entering the Lubricator through " IN " pressurises the bowl chamber.

Flow of full air goes through " OUT " deflecting the " Deflector " and creating pressure drop below the sight dome.

The pressure in the Bowl presses the oil through the suction tube and the oil flows through the sight dome. All the oil drops seen through the sight dome mixes with the main - stream air and comes through " OUT ". The required oil drops can be adjusted by the adjusting needle.

Ordering example : Lubricator - 3/8 port size (with NPT 3/8 (G3/8) port) : Ordering No: L1492 (1462)