

AIR PREPARATION UNITS

FILTER REGULATOR COMBINATION WITH METAL BOWL - Series FRC1M

Cat No FRC1M - 02 - C

FILTER REGULATOR COMBINATION with Metal Bowl - 1/8, 1/4, 3/8, 1/2, 3/4, 1"

Features

- Modular type
- Suitable for panel mounting
- Filter
 - Bronze filtering element.
 - Separator and shield for efficient moisture separation.
 - Press type manual drain for easy operation
 - Suitable for automatic drain
- Regulator
 - Diaphragm operated, relieving type.
 - Pressure compensated by balanced poppet.
 - Flow compensated
 - Non raising ' Press to lock ' adjusting knob
- Aluminium bowl guard, bayonet type (3/4 and 1" only)
- Good flow and regulating characteristics.



Application

These type of filters are used for Chemical, Paintshops, Pharmaceutical, Foundry etc.

Technical Specifications

Model	FRC13...M	FRC14...M	FRC15...M	FRC17...M	FRC17...M
Medium	Compressed air				
Port size	NPT 1/8 (G1/8) NPT 1/4 (G1/4)	NPT 1/4 (G1/4) NPT 3/8 (G3/8)	NPT 1/4 (G1/4) NPT 3/8 (G3/8) NPT 1/2 (G1/2)	NPT 3/4 (G3/4)	NPT 1 (G1)
Pressure gauge port size	NPT 1/8 (G1/8)			NPT 1/4 (G1/4)	
Flow rate in scfm (NI / min) @	8.75 (250) 19.25 (550)	25.38 (725) 63 (1800)	31.68 (905) 80.5 (2300) 105 (3000)	210 (6000)	227.5 (6500)
Max supply pressure in psi (bar)	280 (20)				
Regulating Pressure Range in psi (bar) #	3 - 30 (0.2 - 2), 3 - 60 (0.2 - 4), 7 - 100 (0.5 - 7), 7 - 140 (0.5 - 10) (Standard)				
Ambient / Medium temperature	41° - 140° F (5° - 60° C)				
Filteration in microns #	1, 5, 25, 40 (standard), 50, 100				
Bowl capacity in ounce (ml) (at maximum condensate level)	0.30 (9)	2.16 (64)	3.1 (90)	5.58 (165)	5.58 (165)
Bowl material	Aluminium				
Installation	Vertical (as shown in the picture)				
Materials of construction	Aluminium, Bronze, Brass, Steel, Acetal, SS, Nitrile				
Optional accessories *	Clamp, Modular mounting kit, Pressure gauge				
Weight in lb (Kg)	0.66 (0.30)	1.54 (0.70)	3.3 (1.5)	4.8 (2.16)	4.7 (2.12)

@ Supply pressure 100 psi (7 bar), Set pressure 85 psi (6 bar), Pressure drop $\Delta p = 14.5$ psi (1bar) (For standard models)

For details see " How to order "

* For details refer optional accessories Cat No APA - 02 - C

Precautions

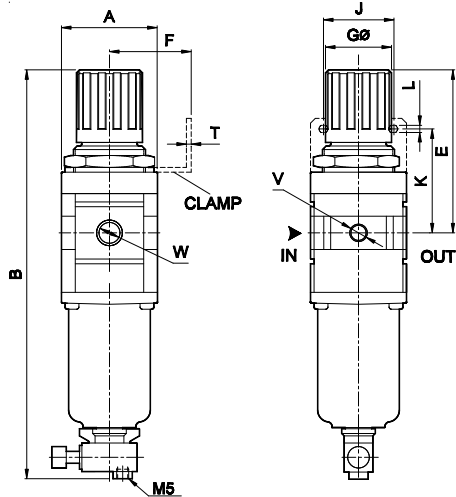
1. Note the direction of flow before installation and connect piping accordingly.
2. Flush pipings for dirt, dust, rust and other foreign particles.
3. Install in clean atmosphere.
4. Nipples with taper threads (R) to be used with teflon tape. Ensure teflon tape does not enter the unit during tightening.
Nipples with straight threads (G) to be used with sealing washer.

AIR PREPARATION UNITS

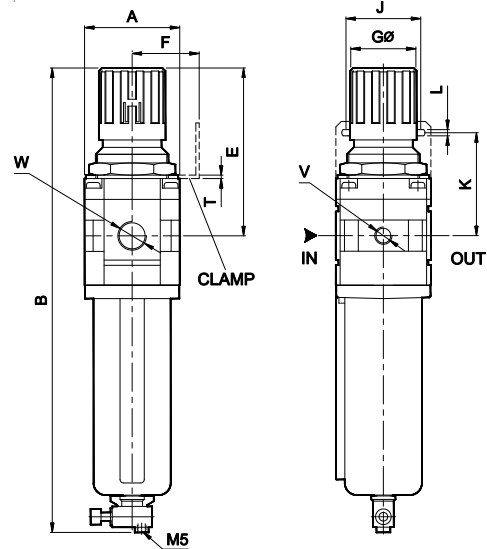
FILTER REGULATOR COMBINATION WITH METAL BOWL - Series FRC1M

Cat No FRC1M - 02 - C

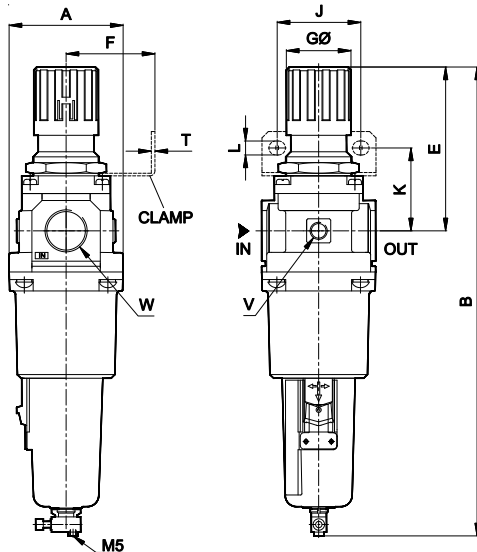
Model FRC13...M



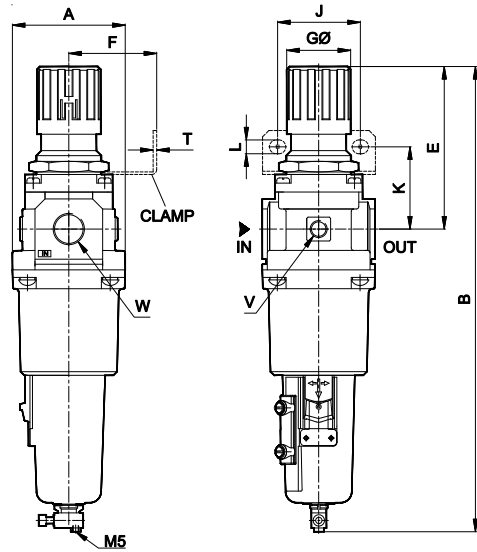
Model FRC14...M & FRC15...M



Model FRC17...-M



Model FRC17...-L



Model	W	V	A	B	E	F	K	GØ	J	L	T
FRC13...M	NPT 1/8 (G1/8) NPT 1/4 (G1/4)	NPT 1/8 (G1/8)	SQ 1.575 (40)	6.769 (172)	2.677 (68)	1.181 (30)	1.772 (45)	1.102 (28)	1.102 (28)	0.216 (5.5)	0.079 (2)
FRC14...M	NPT 1/4 (G1/4) NPT 3/8 (G3/8)	NPT 1/8 (G1/8)	SQ 2.165 (55)	10.43 (265)	3.740 (95)	1.575 (40)	2.087 (53)	1.575 (40)	1.575 (40)	0.256 (6.5)	0.079 (2)
FRC15...M	NPT 1/4 (G1/4) NPT 3/8 (G3/8) NPT 1/2 (G1/2)	NPT 1/8 (G1/8)	SQ 2.756 (70)	12.99 (330)	4.921 (125)	1.968 (50)	2.441 (62)	2.008 (51)	2.165 (55)	0.335 (8.5)	0.079 (2)
FRC17...M	NPT 3/4 (G3/4)	NPT 1/4 (G1/4)	SQ 3.543 (90)	14.61 (371)	5.118 (130)	2.756 (70)	2.559 (65)	2.008 (51)	2.598 (66)	0.433 (11)	0.197 (5)
FRC17...M	NPT 1 (G1)	NPT 1/4 (G1/4)	SQ 3.543 (90)	14.61 (371)	5.118 (130)	2.756 (70)	2.559 (65)	2.008 (51)	2.598 (66)	0.433 (11)	0.197 (5)

For Details of Clamp see optional accessories Cat No APA - 02 - C

Pressure Setting

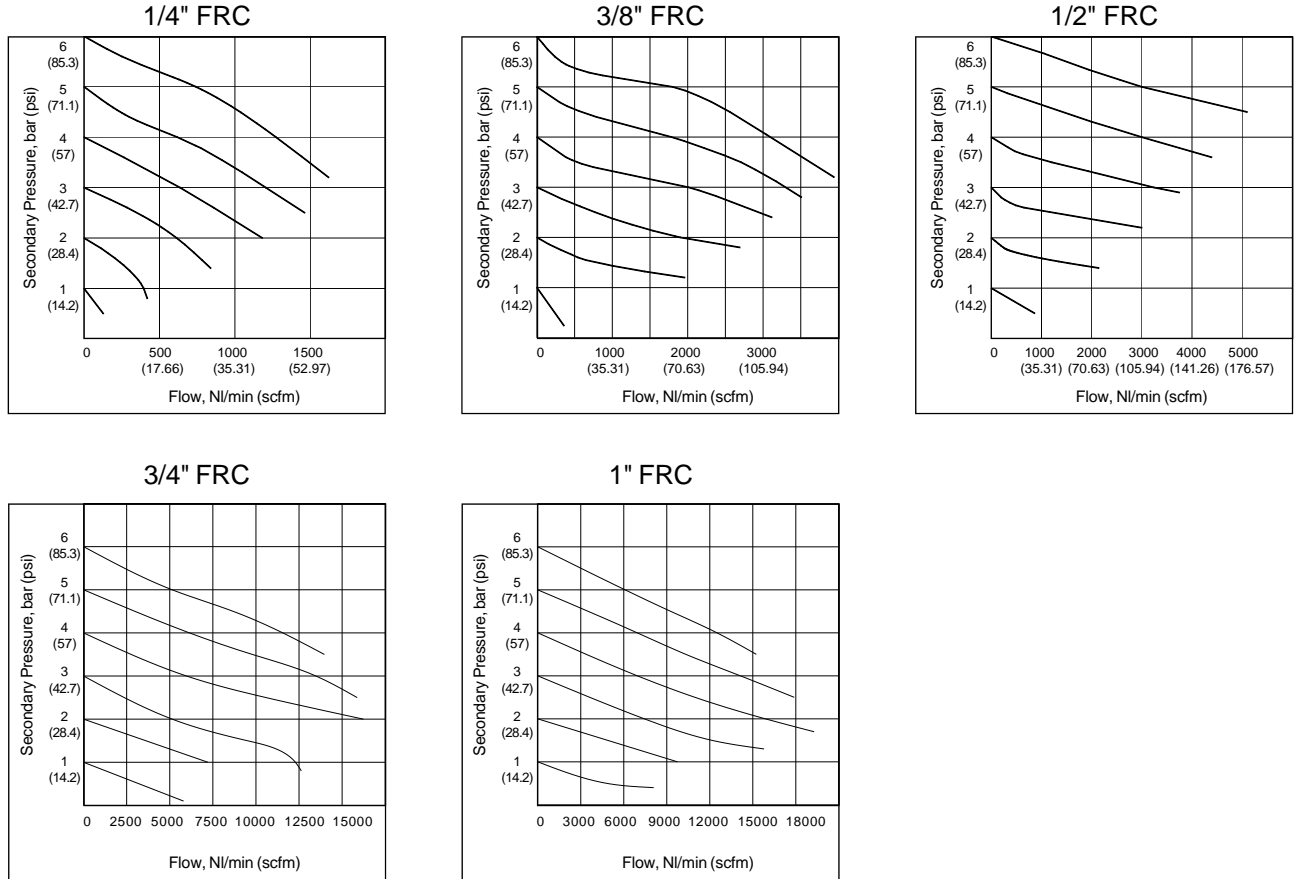
Pull the knob and adjust by turning the knob clockwise to increase the pressure. Push the knob back to its locked position. (Turning the knob counter clockwise will reduce the pressure)

AIR PREPARATION UNITS

FILTER REGULATOR COMBINATION WITH METAL BOWL - Series FRC1M

Cat No FRC1M - 02 - C

Flow Graphs



Flow graphs are for 40µm filtrations only

How to order

FRC1 ○ ○ ○ ○ ○ ○ ○ ○

Body & Port size		Filteration in microns		Pressure range in psi (bar)		Metal bowl		Drain arrangement	
390 (360)	NPT1/8 (G1/8)	0	- 1	1	3 - 30 (0.2 - 2)	M	Without level indicator	M	Manual drain (Standard)
391 (361)	NPT1/4 (G1/4)	1	- 5	2	3 - 60 (0.2 - 4)	L[#]	With level indicator	A[*]	Auto drain
491 (461)	NPT1/4 (G1/4)	2	- 25	3	7 - 100 (0.5 - 7)	** Applicable for FRC14, FRC15 & FRC17 series only.			
492 (462)	NPT3/8 (G3/8)	3	- 40 (Standard)	4	7 - 140 (0.5 - 10) Standard				
591 (561)	NPT1/4 (G1/4)	4	- 50						
592 (562)	NPT3/8 (G3/8)	5	- 100						
593 (563)	NPT1/2 (G1/2)								
794 (764)	NPT3/4 (G3/4)								
795 (765)	NPT1 (G1)								

Ordering example :- Filter Regulator Combination - 3/8 size (with NPT 3/8 (G3/8) port) with 5 microns Filter and pressure range 7 - 100 psi and Metal Bowl with Auto drain Ordering No: FRC 1492 (1462) 13 - MA.

If ordered as FRC 3/8 with Metal bowl, our standard model FRC 1492 (1462) 34 - MM, with 40 microns Filter and pressure range 7 - 140 psi will be supplied.

- For safety instructions, please refer instruction manual IS - FRC1M - 2 - 01

Subject to change