

AIR PREPARATION UNITS

FILTER REGULATOR COMBINATION WITH INTERNAL AUTODRAIN - Series FRC1A

Cat No FRC1A - 02 - C

FILTER REGULATOR COMBINATION with Internal Autodrain - 1/4, 3/8, 1/2, 3/4, 1"

Features

- Modular type
- Suitable for panel mounting
- Filter
 - Bronze filtering element.
 - Separator and shield for efficient moisture separation.
 - Bayonet type steel bowl guard
- Internal Autodrain
 - Float type, no electrical connections required.
 - Provided with manual drain.
 - Provision for drain tube connection, to take the condensate away from the unit, to keep the working area clean.
- Regulator
 - Diaphragm operated, relieving type.
 - Pressure compensated by balanced poppet.
 - Flow compensated (with venturi) for faster response.
 - Non raising ' Press to lock ' adjusting knob for locking at any set pressure.
- Good flow and regulating characteristics.



Technical Specifications

Model	FRC14....A	FRC15....A	FRC17....A	FRC17....A
Medium	Compressed air			
Port size	NPT 1/4 (G1/4) NPT 3/8 (G3/8)	NPT 1/4 (G1/4) NPT 3/8 (G3/8) NPT 1/2 (G1/2)	NPT 3/4 (G3/4)	NPT 1 (G1)
Pressure gauge port size	NPT 1/8 (G1/8)		NPT 1/4 (G1/4)	
Flow rate in scfm (NI / min) [®]	25.38 (725) 63 (1800)	31.68 (905) 80.5 (2300) 105 (3000)	212 (6000)	214 (6500)
Operating pressure in psi (bar)	28 - 140 (2 - 10)			
Regulating Pressure Range in psi (bar) [#]	3 - 30 (0.2 - 2), 3 - 60 (0.2 - 4), 7 - 100 (0.5 - 7), 7 - 140 (0.5 - 10) (Standard)			
Ambient / Medium temperature	41° - 120° F (5° - 50° C)			
Filtration in microns [#]	1, 5, 25, 40 (standard), 50, 100			
Bowl capacity in ounce (ml) (at maximum condensate level)	1.18 (35)	2.19 (65)	5.58 (165)	5.58 (165)
Bowl material	Polycarbonate			
Installation	Vertical (as in the picture)			
Materials of construction	Aluminium, Bronze, Steel, Acetal, Polycarbonate, SS, Nitrile			
Optional accessories [*]	Clamp, Modular mounting kit, Pressure Gauge			
Weight in lb (Kg)	1.628 (0.74)	3.3 (1.50)	4.63 (2.1)	4.56 (2.07)

[®] Supply pressure 100 psi (7 bar), Set pressure 85 psi (6 bar), Pressure drop $\Delta p = 14.5$ psi (1bar) (For standard models)

[#] For details see " How to order "

^{*} For details refer optional accessories Cat No APA - 02 - C

Precautions

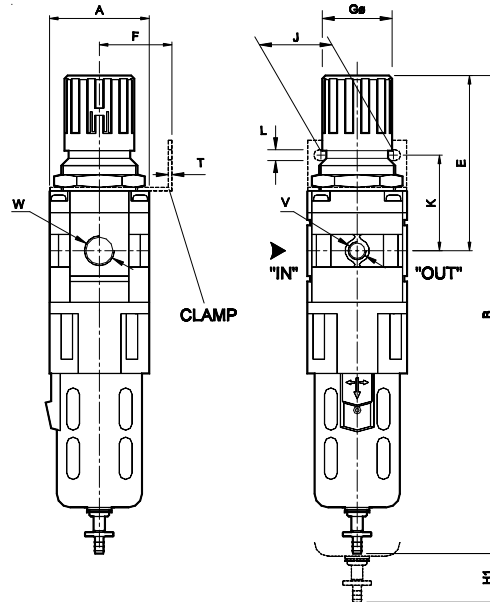
1. Note the direction of flow before installation and connect piping accordingly.
2. Flush pipings for dirt, dust, rust and other foreign particles.
3. Install in clean atmosphere.
4. Nipples of taper threads (R) to be used with teflon tape. Ensure teflon tape does not enter the unit during tightening.
Nipples of straight threads (G) to be used with sealing washer.
4. Polycarbonate bowls may get damaged and possibly fail if exposed to synthetic oils, thinner, solvents, trichloroethylene kerosene or other aromatic hydrocarbons.

AIR PREPARATION UNITS

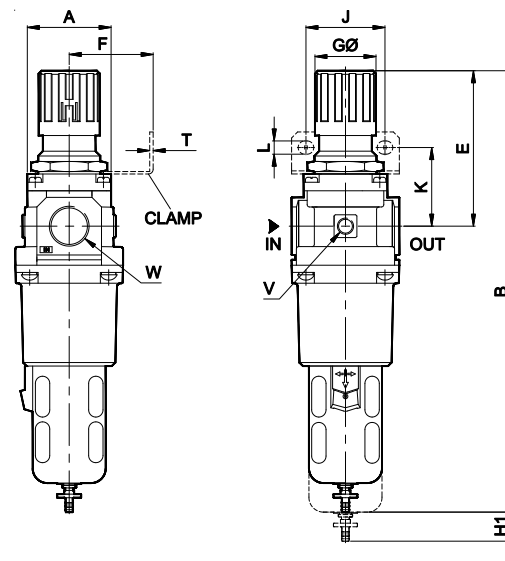
FILTER REGULATOR COMBINATION WITH INTERNAL AUTODRAIN - Series FRC1A

Cat No FRC1A - 02 - C

Model FRC13...-A, FRC14...-A, FRC15...-A



Model FRC17...-A



Model	W	V		A	B	E	F	K	GØ	J	L	T	H1
FRC14...A	NPT 1/4 (G1/4) NPT 3/8 (G3/8)	NPT 1/8 (G1/8)	Inch (mm)	SQ 2.165 (55)	10.71 (272)	3.74 (95)	1.575 (40)	2.087 (53)	1.575 (40)	1.575 (40)	0.256 (6.5)	0.079 (2)	2.36 (60)
FRC15...A	NPT 1/4 (G1/4) NPT 3/8 (G3/8) NPT 1/2 (G1/2)	NPT 1/8 (G1/8)	Inch (mm)	SQ 2.756 (70)	13.19 (335)	4.92 (125)	1.968 (50)	2.441 (62)	2.008 (51)	2.165 (55)	0.335 (8.5)	0.079 (2)	3.35 (85)
FRC17...A	NPT 3/4 (G3/4)	NPT 1/4 (G1/4)	Inch (mm)	SQ 3.543 (90)	14.49 (368)	5.12 (130)	2.756 (70)	2.559 (65)	2.008 (51)	2.598 (66)	0.433 (11)	0.197 (5)	3.35 (85)
FRC17...A	NPT 1 (G1)	NPT 1/4 (G1/4)	Inch (mm)	SQ 3.543 (90)	14.49 (368)	5.12 (130)	2.756 (70)	2.559 (65)	2.008 (51)	2.598 (66)	0.433 (11)	0.197 (5)	3.35 (85)

For Details of Clamp see optional accessories Cat No APA - 02 - C

Pressure Setting

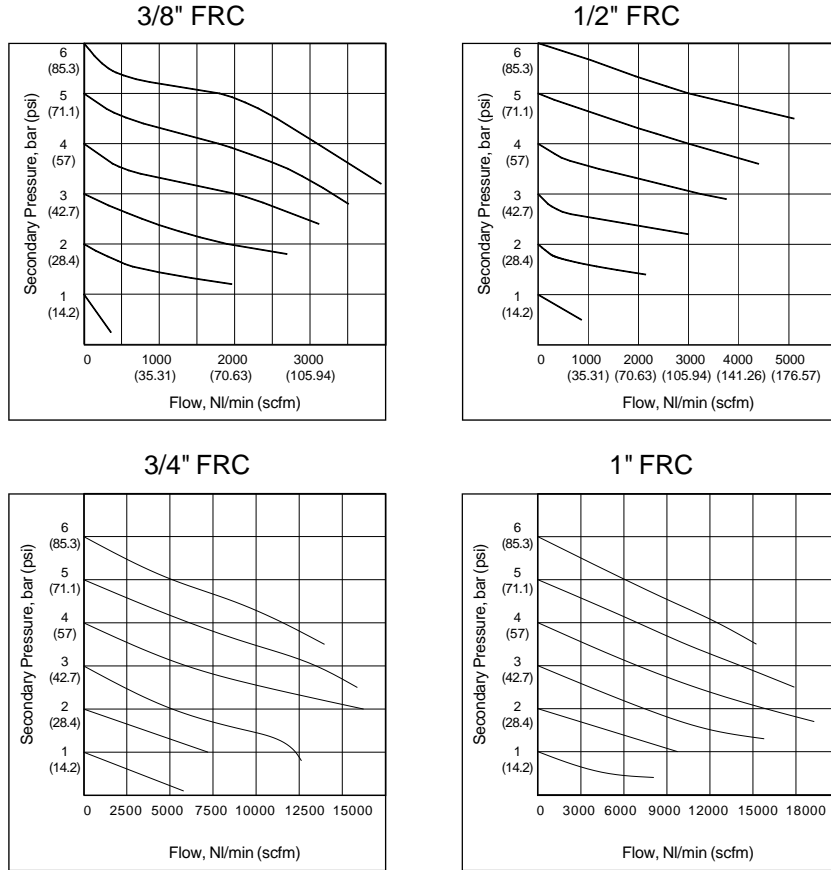
Pull the knob and adjust by turning the knob clockwise to increase the pressure. Push the knob back to its locked position. (Turning the knob counter clockwise will reduce the pressure)

AIR PREPARATION UNITS

FILTER REGULATOR COMBINATION WITH INTERNAL AUTODRAIN - Series FRC1A

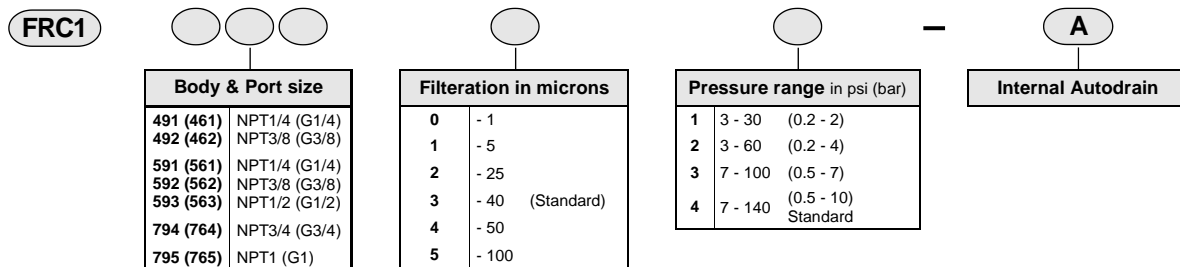
Cat No FRC1A - 02 - C

Flow Graphs



Flow graphs are for 40µm filtrations only

How to order



Ordering example :- Filter Regulator Combination - 3/8 size (with NPT 3/8 (G3/8) port) with a 5 microns Filter, pressure range 7 - 100 psi with Internal Autodrain: Ordering No: FRC1492 (1462) 13 - A.

If ordered as 3/8 FRC with Internal Autodrain, our standard model FRC1492 (1462) 34 - A, with a 40 microns Filter, pressure range 7 -140 psi with Internal Autodrain will be supplied.

- For safety instructions, please refer instruction manual IS - FRC1A - 2 - 01

Subject to change