

## AIR PREPARATION UNITS

FILTER REGULATOR COMBINATION WITH METAL BOWL - Series FRC1M

Cat No FRC1M - 01 - C

### FILTER REGULATOR COMBINATION with Metal Bowl - 1/4, 3/8, 1/2, 3/4, 1"

#### Features

- Modular type
- Suitable for panel mounting
- Filter
  - Bronze filtering element.
  - Separator and shield for efficient moisture separation.
  - Press type manual drain for easy operation
  - Suitable for automatic drain
- Regulator
  - Diaphragm operated, relieving type.
  - Pressure compensated by balanced poppet.
  - Flow compensated
  - Non raising ' Press to lock ' adjusting knob
- Aluminium bowl guard, bayonet type (3/4 and 1" only)
- Good flow and regulating characteristics.



#### Application

These type of filters are used for Chemical, Paintshops, Pharmaceutical, Foundry etc.

#### Technical Specifications

Model	FRC13...M	FRC14...M	FRC15...M	FRC17...M	FRC17...M
Medium	Compressed air				
Port size	G1/4	G3/8	G1/2	G3/4	G1
Pressure gauge port size	G1/8	G1/8	G1/8	G1/4	G1/4
Flow rate <sup>®</sup> (lts / min)	550	1800	3000	6000	6500
Maximum supply pressure (bar)	20				
Regulating pressure range <sup>#</sup> (bar)	0.2 - 2, 0.2 - 4, 0.5 - 7, 0.5 - 10 (Standard)				
Ambient / Medium temperature	5° - 60° C				
Filteration <sup>#</sup> (µm)	1, 5, 25, 40 (standard), 50, 100				
Bowl capacity (ml) (At max. condensate level)	9	64	90	165	165
Bowl material	Aluminium				
Installation	Vertical (as shown in the picture)				
Materials of construction	Aluminium, Bronze, Brass, Steel, Acetal, SS, Nitrile				
Optional accessories *	Clamp, Modular mounting kit, Pressure gauge				
Weight (Kg)	0.30	0.70	1.50	2.16	2.12

® Supply pressure 7 bar , Set pressure 6 bar , pressure drop  $\Delta p = 1$  bar ( For standard models ).

# For details see " How to order ".

\* For details refer optional accessories Cat No AP1A - 01 - C

#### Precautions

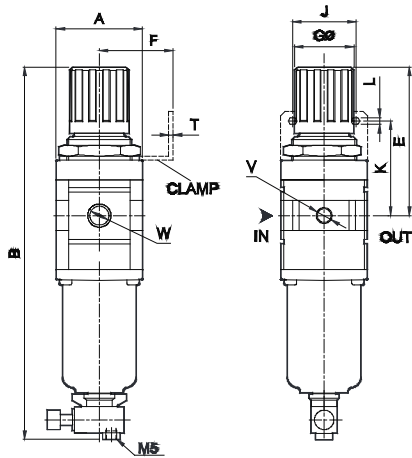
1. Note the direction of flow before installation and connect piping accordingly.
2. Flush pipings for dirt, dust, rust and other foreign particles.
3. Install in clean atmosphere.
4. Nipples with taper threads ( R ) to be used with teflon tape. Ensure teflon tape does not enter the unit during tightening.  
Nipples with straight threads ( G ) to be used with sealing washer.

## AIR PREPARATION UNITS

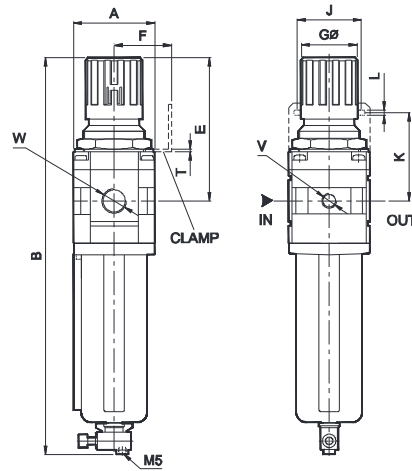
### FILTER REGULATOR COMBINATION WITH METAL BOWL - Series FRC1M

Cat No FRC1M - 01 - C

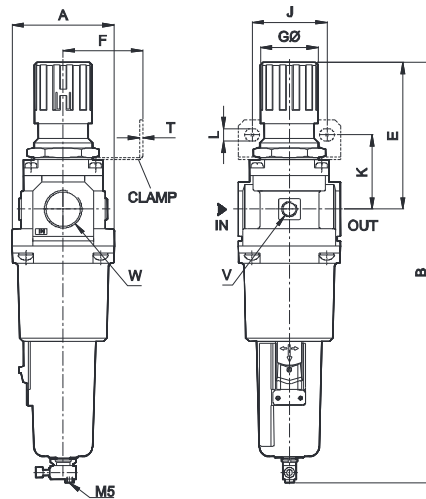
Model FRC13...M



Model FRC14...M & FRC15...M



Model FRC17...-MM



Model	W	V	A	B	E	K	F	GØ	J	L	T
FRC13...M	G1/4	G1/8	SQ 40	172	68	45	30	28	28	5.5	2
FRC14...M	G3/8	G1/8	SQ 55	265	95	53	40	40	40	6.5	2
FRC15...M	G1/2	G1/8	SQ 70	330	125	62	50	51	55	8.5	2
FRC17...M	G3/4	G1/4	SQ 90	371	130	65	70	51	66	11	5
FRC17...M	G1	G1/4	SQ 90	371	130	65	70	51	66	11	5

For Details of Clamp see optional accessories Cat No APA - 01

### Pressure Setting

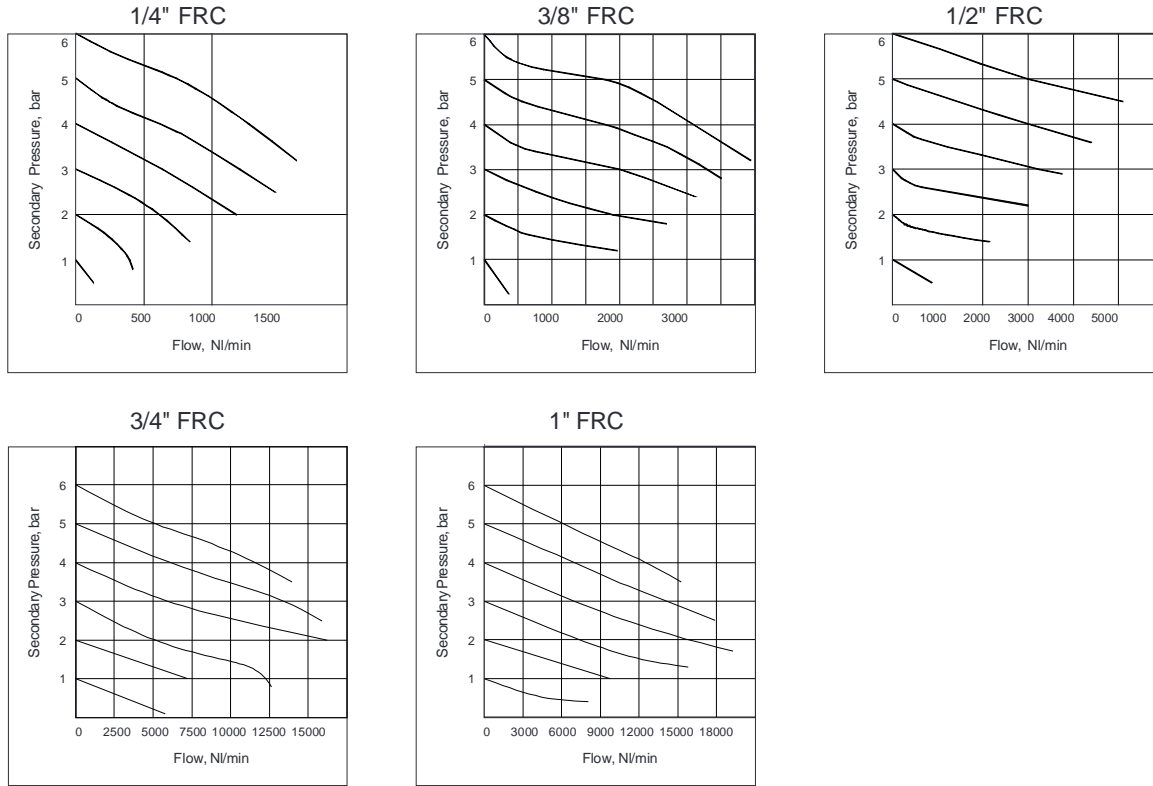
Pull the knob and adjust by turning the knob clockwise to increase the pressure. Push the knob back to its locked position.  
( Turning the knob counter clockwise will reduce the pressure )

# AIR PREPARATION UNITS

## FILTER REGULATOR COMBINATION WITH METAL BOWL - Series FRC1M

Cat No FRC1M - 01 - C

### Flow Graphs



Flow graphs are for 40µm filtrations only

### How to order

<b>FRC1</b>	○ ○ ○ ○ ○	○	○	○	○
<b>Body &amp; Port size</b>	<b>Filteration in µm</b>	<b>Pressure range</b>	<b>Metal bowl</b>	<b>Drain arrangement</b>	
361   G1/4 462   G3/8 563   G1/2 764   G3/4 765   G1	0 - 1 1 - 5 2 - 25 3 - 40 (Standard) 4 - 50 5 - 100	1   0.2 - 2 bar 2   0.2 - 4 bar 3   0.5 - 7 bar 4   0.5 - 10 bar (Standard)	M   Without level indicator	M   Manual drain (Standard) A*   Auto drain	
* Auto Drain - G3/8, G1/2, G3/4 & G1/2 model only					

**Ordering example** :- Filter Regulator Combination - 3/8 size ( with G3/8 port ) with 5µm Filter and pressure range 0.5 - 7 bar and Metal Bowl with Auto drain Ordering No: FRC146213 - MA.  
If ordered as FRC 3/8 with Metal bowl, our standard model FRC 146234 - MM, with 40µm Filter and pressure range 0.5 - 10 bar will be supplied.

Subject to change