

## AIR PREPARATION UNITS

### FILTER Series F1

Cat No F1 - 02 - C

#### AIR FILTER - 1/8, 1/4, 3/8, 1/2, 3/4, 1"

#### Features

- Conforms to ISO 5782 -1
- Suitable for Modular mounting
- Steel bowl guard, bayonet type on F14, F15 & F17 models and threaded type on F13 model.
- Press type Manual drain for easy operation.
- Bronze filtering element.
- Separator and shield for efficient moisture separation.



#### Technical Specifications

Model	F13	F14	F15	F17	F17
Medium	Compressed air				
Port size	NPT 1/8 (G1/8) NPT 1/4 (G1/4)	NPT 1/4 (G1/4) NPT 3/8 (G3/8)	NPT 1/4 (G1/4) NPT 3/8 (G3/8) NPT 1/2 (G1/2)	NPT 3/4 (G3/4)	NPT 1 (G1)
Flow rate in scfm (NI / min) @	14.88 (425) 28 (800)	26.78 (765) 78.75 (2250)	28.53 (815) 76.48 (2185) 122.5 (3500)	175 (5000)	227.5 (6500)
Max supply pressure in psi (bar)	140 (10)				
Ambient / Medium temperature	41° - 120° F (5° - 50° C)				
Filteration in microns #	1, 5, 25, 40 (standard), 50, 100				
Bowl capacity in ounce (ml) (at maximum condensate level)	0.30 (9)	1.08 (32)	1.48 (44)	5.58 (165)	5.58 (165)
Bowl material	Polycarbonate				
Installation	Vertical (as in the picture)				
Materials of construction	Aluminium, Bronze, Steel, Acetal, Polycarbonate, SS, Nitrile				
Optional accessories *	Clamp, Modular mounting kit, Pressure gauge				
Weight in lb (Kg)	0.418 (0.19)	0.704 (0.32)	1.32 (0.60)	3.08 (1.4)	2.86 (1.3)

@ Supply pressure 85 psi (6 bar) , pressure drop  $\Delta p = 4$  psi (0.3 bar) ( For standard models ).

# For details see " How to order " .

\* For details refer Optional accessories Cat No APA - 02 - C

#### Precautions

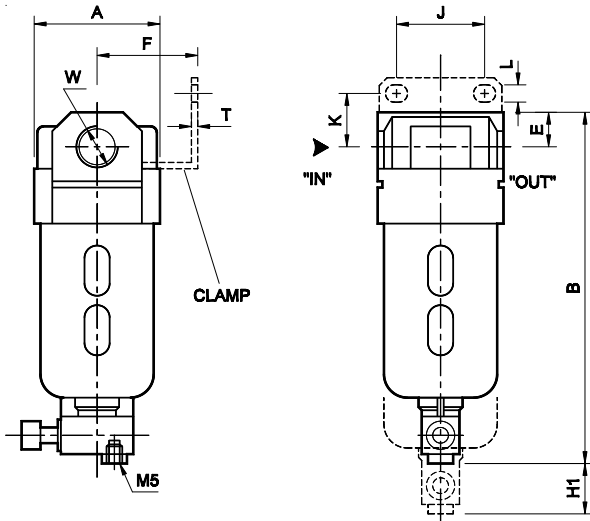
1. Note the direction of flow before installation and connect piping accordingly.
2. Flush pipings for dirt, dust, rust and other foreign particles.
3. Install in clean atmosphere.
4. Nipples of taper threads ( R ) to be used with teflon tape. Ensure teflon tape does not enter the unit during tightening.  
Nipples of straight threads ( G ) to be used with sealing washer.
5. Polycarbonate bowls may get damaged and possibly fail if exposed to synthetic oils, thinner, solvents, trichloroethylene, kerosene or other aromatic hydrocarbons.

# AIR PREPARATION UNITS

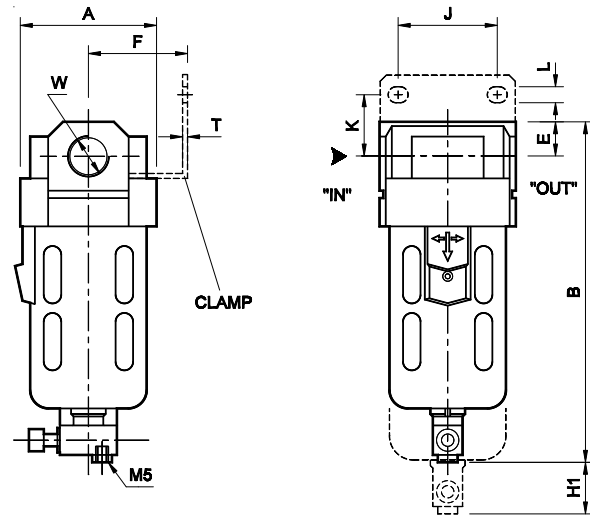
## FILTER Series F1

Cat No F1 - 02 - C

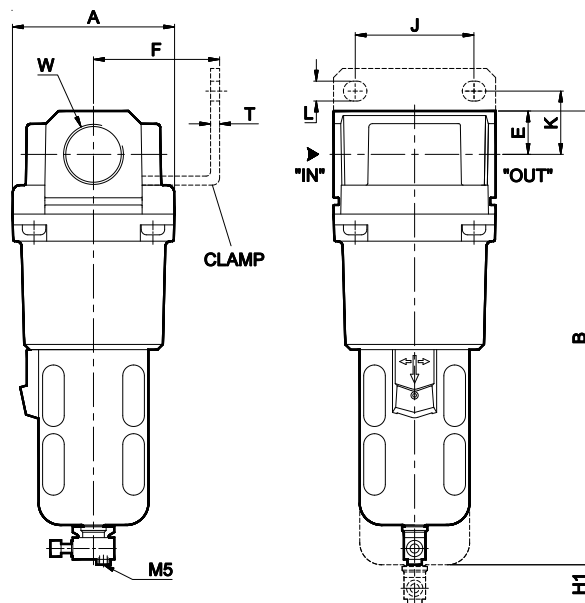
**Model F13**



**Model F14 & F15**



**Model F17**



Model	W		A	B	E	K	F	J	L	T	H1
F13	NPT 1/8 (G1/8) NPT 1/4 (G1/4)	Inch (mm)	SQ 1.575 (40)	4.449 (113)	0.43 (11)	0.59 (15)	1.181 (30)	1.102 (28)	0.216 (5.5)	0.079 (2)	1.968 (50)
F14	NPT 1/4 (G1/4) NPT 3/8 (G3/8)	Inch (mm)	SQ 2.165 (55)	5.512 (140)	0.55 (14)	0.98 (25)	1.575 (40)	1.575 (40)	0.256 (6.5)	0.079 (2)	2.165 (55)
F15	NPT 1/4 (G1/4) NPT 3/8 (G3/8) NPT 1/2 (G1/2)	Inch (mm)	SQ 2.756 (70)	6.772 (172)	0.71 (18)	0.98 (25)	1.968 (50)	2.165 (55)	0.335 (8.5)	0.079 (2)	3.15 (80)
F17	NPT 3/4 (G3/4)	Inch (mm)	SQ 3.543 (90)	10.236 (260)	0.95 (24)	1.38 (35)	2.756 (70)	2.598 (66)	0.433 (11)	0.196 (5)	3.15 (80)
F17	NPT 1 (G1)	Inch (mm)	SQ 3.543 (90)	10.236 (260)	0.95 (24)	1.38 (35)	2.756 (70)	2.598 (66)	0.433 (11)	0.196 (5)	3.15 (80)

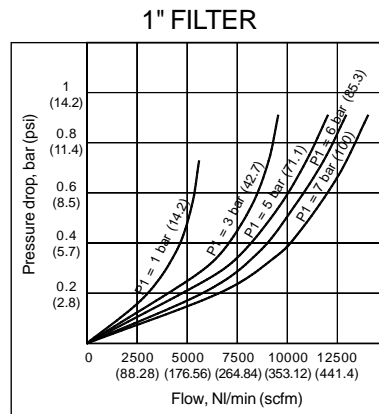
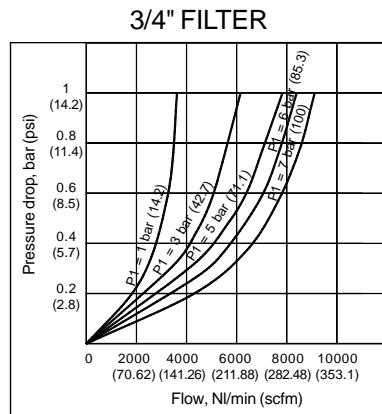
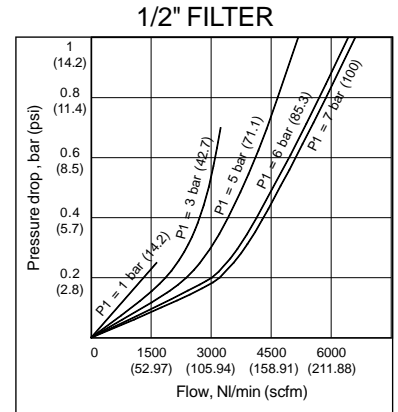
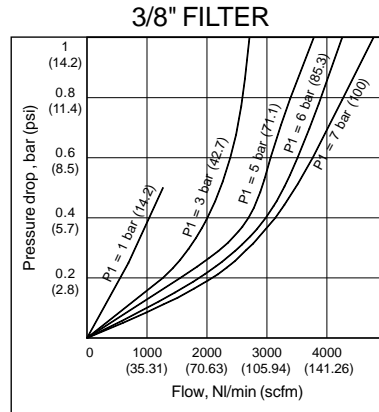
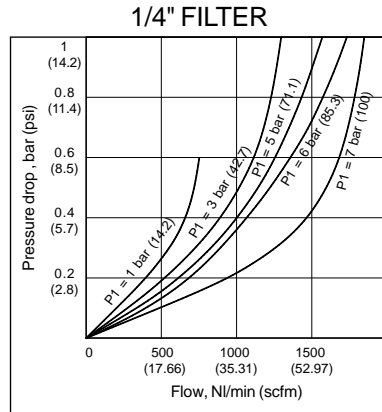
For Details of Clamp see optional accessories Cat No APA - 02 - C

# AIR PREPARATION UNITS

## FILTER Series F1

Cat No F1 - 02 - C

### Flow Graphs



Flow graphs are for 40µm filtrations only

### How to order

**F1**

Body & Port size	
390 (360)	NPT1/8 (G1/8)
391 (361)	NPT1/4 (G1/4)
491 (461)	NPT1/4 (G1/4)
492 (462)	NPT3/8 (G3/8)
591 (561)	NPT1/4 (G1/4)
592 (562)	NPT3/8 (G3/8)
593 (563)	NPT1/2 (G1/2)
794 (764)	NPT3/4 (G3/4)
795 (765)	NPT1 (G1)

Filtration in microns	
0	- 1
1	- 5
2	- 25
3	- 40 (Standard)
4	- 50
5	- 100

**Ordering example** :- Filter - 3/8 size ( with NPT 3/8 (G3/8) port ) with 50 microns filter: Ordering No: F1492 (1462) 4  
If ordered as 3/8 Filter, our standard model F1492 (1462) 3, with 40 microns will be supplied.

- For safety instructions, please refer instruction manual IS - F1 - 2 - 01

Subject to change