

FLOW CONTROL VALVE

Series GR

Cat No GR - 01 - 02 - A

FLOW CONTROL VALVE - M5, 1/8, 1/4, 3/8, 1/2

Features

- Directly mountable on cylinder
- Fine regulation of air flow
- Male threads (G) with sealing washer
- Elegant design and finish
- Slotted head screw adjusting type



Function

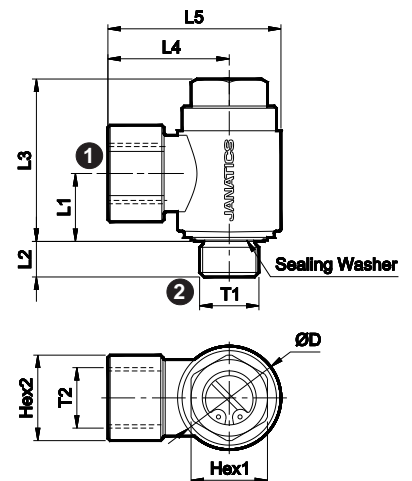
These valves allow controlled flow of air in one direction and free flow in the other direction. These are available in two versions - a) Supply control version, and b) Exhaust control version.

Application

These valves are used to control the speed of piston in a pneumatic cylinder.

Technical Specifications

Type	Supply control		Exhaust control		
Model	GR1		GR5		
Free flow	2 → 1		1 → 2		
Controlled flow	1 → 2		2 → 1		
Sizes	M5	G1/8	G1/4	G3/8	G1/2
No. of needle rotations	9	9	9	9	8
Tightening torque in Nm	1.5	5.5	11	20	30
Medium	Compressed air - Dry / Lubricated				
Operating pressure range	0.5 - 10 bar				
Ambient Temperature	5° - 60° C				
Materials of construction	Zinc, Brass, Nitrile, Aluminium, Steel				



Sl. No	Ordering No.	Thread		Hex1	Hex2	L1	L2	L3	L4	L5	ØD	Free Flow min. [#] Lts/min [@]	Controlled Flow max. [#] Lts/min
		T1	T2										
1	GR1137070	M5	M5	8	9	9	3.7	23	12	18	12	80	0 to 100
2	GR5137070												
3	GR1136060	G1/8	G1/8	13	15	12	5.5	32	19.5	28.5	17.5	300	0 to 400
4	GR5136060												
5	GR1136161	G1/4	G1/4	17	19	15	8	36.5	27	38.5	23	650	0 to 750
6	GR5136161												
7	GR1136262	G3/8	G3/8	21	24	19	9	40.5	29.5	43.5	28	1000	0 to 1500
8	GR5136262												
9	GR1136363	G1/2	G1/2	24	30	24	13	50.3	37	54	34	2250	0 to 2750
10	GR5136363												

@ - Needle fully closed condition.

- Inlet pressure 6 bar, and pressure drop 1 bar.

How to Order

While ordering Flow control valve, mention the ordering number given in the corresponding tables.

Subject to change