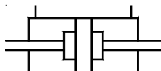




A60 - Magnetic



A61 - Non-magnetic

## AIR CYLINDER

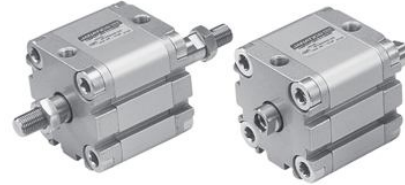
Series A60, A61

Cat No A60, A61 - 01 - 02 - C

### Double End Double Acting Cylinders (Compact ISO type) Ø25 - 100 mm

#### Features

- Elastomer end cushioning
- Wide varieties of mountings
- Space saving
- Magnetic and Non magnetic version
- Aluminium profile (square) cylinder barrel
- Magnetic sensor common for all sizes  
( Refer Magnetic sensor catalogue )



#### Technical Specifications

Cylinder bore Ø ( mm )	25	32	40	50	63	80	100
Standard strokes * ( mm )	10 15 20 25 30 40 50 60 70 80						
Medium	Compressed air - filtered - lubricated						
Working pressure range	0.5 - 10 bar						
Medium temperature	5° - 60° C						
Materials of construction	Barrel - Aluminium, O ring - Nitrile, Piston rod - Steel, Seals - Polyurethane						
Mountings	Basic cylinder,		Foot mounting,		Flange,		Female clevis,
Accessories	Rod end fork,		Rod end aligner,		Rod end spherical eye		

\* For Non standard or longer stroke cylinders, contact your regional dealer or JANATICS

#### Output force ( force in N : 1N = 0.1 kgf )

Cylinder bore Ø (in mm)	Rod Ø (in mm)	Working pressure in bar								
		2	3	4	5	6	7	8	9	10
25	10	74	111	148	185	222	260	296	334	371
32	12	124	187	249	311	373	435	498	559	622
40	12	206	309	411	514	617	720	823	926	1029
50	16	317	476	634	793	952	1110	1269	1427	1586
63	16	525	787	1050	1312	1575	1837	2099	2362	2624
80	20	848	1272	1696	2120	2544	2969	3393	3817	4241
100	20	1357	2036	2714	3393	4071	4750	5429	6107	6786

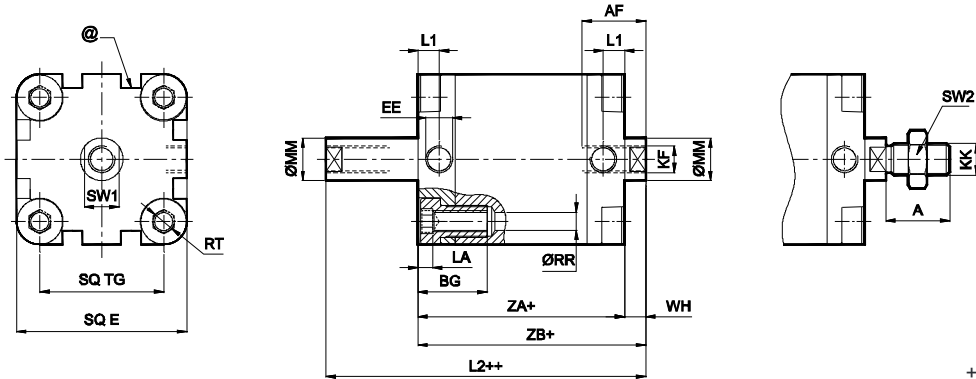
( Above values have been worked out taking frictional loss into consideration )

# AIR CYLINDER

Series A60, A61

Cat No A60, A61 - 01 - 02

## Basic cylinder

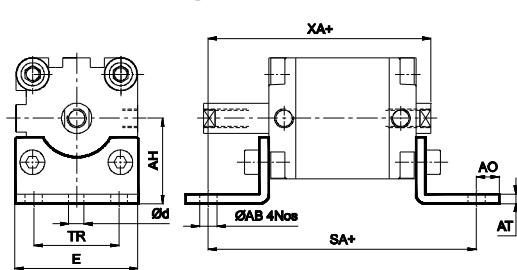


+ Add stroke  
++ Add stroke twice

Cylinder bore Ø	KF	MM	AF	RR min	RT	SW1	L1	LA	BG min	EE	TG	E max	ZA	Tol	ZB	Tol	WH	Tol	L2	Tol	KK	A -0.5	SW2	Stroke tol
25	M6x1	10	10	4.1	M5	9	6	6	15	M5x0.8	26	40	39	±0.5	45	±1.4	6	±1.4	52	±1	M8x1.25	16	13	+2 0
32	M8x1.25	12	12	5.1	M6	10	7.5	5.5	15	G1/8	32.5	45	44	±0.5	51	±1.6	7	±1.6	59.5	±1.2	M10x1.25	19	17	
40	M8x1.25	12	12	5.1	M6	10	7.5	5.5	15	G1/8	38	51	45	±0.7	52		7		60		M10x1.25	19	17	
50	M10x1.5	16	16	6.4	M8	13	7.5	5.5	16	G1/8	46.5	64	45	±0.7	53	±2	8	±2	62	±1.5	M12x1.25	22	19	+2.5 0
63	M10x1.5	16	16	6.4	M8	13	7.5	5.5	16	G1/8	56.5	74	49	±0.8	57		8		66		M12x1.25	22	19	
80	M12x1.75	20	20	8.4	M10	17	8	5.5	17	G1/8	72	94	54	±0.8	64	10	75	M16x1.5	28	24				
100	M12x1.75	20	20	8.4	M10	17	12.5	5.5	17	G1/8	89	111	67	±1	77	10	88	M16x1.5	28	24				

@ - T Groove for magnetic sensor, Refer catalogue series AM4

## Foot mounting

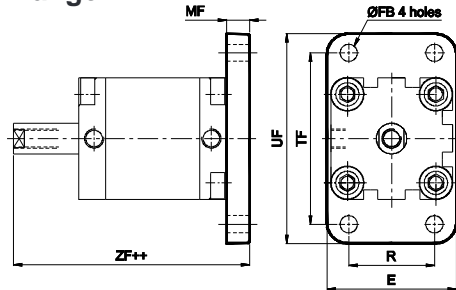


+ Add stroke

Cylinder bore Ø	AB H14	AO max	AT	AH JS16	d*	TR JS14	E	SA	Tol	XA	Tol	Recommended Bolt size	Ordering no.
25	7	6	4	29	5.8	26	40	71		61		M6	ML2025
32	7	7	4	33.5	5.8	32	45	76	±1.25	67	±1.25		ML2032
40	10	9	4	38	7.8	36	52	81		70		M8	ML2040
50	10	9	5	45	7.8	45	65	87		74			ML2050
63	10	9	5	50	7.8	50	75	91		78		ML2063	
80	12	11	6	63	9.8	63	95	106	±1.6	90	±1.6	M10	ML2080
100	14.5	13	6	74	11.8	75	115	121		104		M12	ML2100

\* Suitable for reaming

## Flange



+ Add stroke

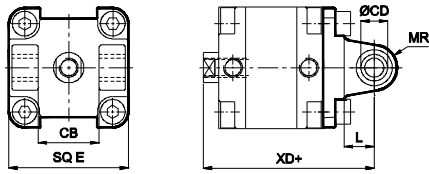
Cylinder bore Ø	MF	UF	TF ±0.3	R ±0.3	E	FB H13	ZF	Tol	Recommended Bolt size	Ordering no.
25	8	76	60	-	40	6.6	54	±1.5	M6	MF1025
32	10	80	64	32	50	7	62.5	±1.8		MF1032
40	10	90	72	36	55	9	63		±1.8	M8
50	12	110	90	45	68	9	66	±2.2		MF1050
63	12	125	100	50	78	9	70		±2.2	M10
80	16	155	126	63	100	12	81	±2.2		M12
100	16	185	150	75	120	14	94			MF1100

# AIR CYLINDER

Series A60, A61

Cat No A60, A61 - 01 - 02

## Female clevis

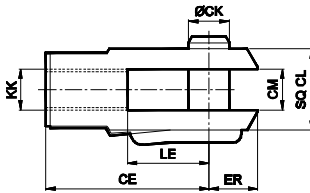


+ Add stroke

Cylinder bore Ø	CD H9	CB H14	L	MR	E	XD	Tol	Ordering no.
32	10	26	12	11	45	73	±1.8	MB1032
40	12	28	15	13	51	77		MB1040
50	12	32	15	13	64	80		MB1050
63	16	40	20	17	74	89		MB1063
80	16	50	20	17	94	100	±2.2	MB1080
100	20	60	25	21	111	118		MB1100

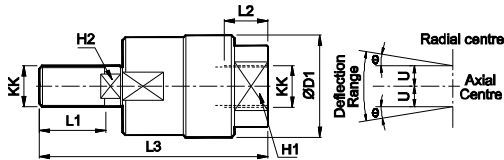
## Accessories for Air Cylinder series A60, A61

### Rod end Fork ( ISO 8140 )



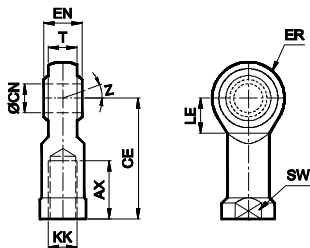
Cylinder bore Ø	KK	CE	CK f8	CM B12	LE	ER max	CL	Ordering no.
25	M8x1.25	32	8	8	16	13	16	AF008
32 / 40	M10x1.25	40	10	10	20	16	20	AF010
50 / 63	M12x1.25	48	12	12	24	19	24	AF012
80 / 100	M16x1.5	64	16	16	32	25	32	AF016

### Rod end Aligner



Cylinder bore Ø	KK	L1	L2	L3	H1	H2	D1	U	± θ°	Ordering no.
25	M8x1.25	15	10	48	12	7	20	0.75	5	AR008
32 / 40	M10x1.25	20	14	65	17	8	28	0.75	5	AR010
50 / 63	M12x1.25	22	18	75	19	10	32	1	5	AR012
80 / 100	M16x1.5	25	22	91	27	13	41	1	5	AR016

### Rod end spherical eye ( ISO 8139 )



Cylinder bore Ø	KK	CN H9	T	EN h12	CE	LE min	ER max	AX	SW	Z	Ordering no.
25	M8x1.25	8	9	12	36	13	12	16	14		AP008
32 / 40	M10x1.25	10	10.5	14	43	15	14	20	17	13°	AP010
50 / 63	M12x1.25	12	12	16	50	17	16	22	19		AP012
80 / 100	M16x1.5	16	15	21	64	22	21	28	22	15°	AP016

# AIR CYLINDER

Series A60, A61

Cat No A60, A61 - 01 - 02

## How to order

Model		Piston Ø (mm)		Stroke (mm)		Mountings		M - Male thread
60	Magnetic cylinder	025	- Ø 25	010	- 10	O	- Basic	
61	Standard cylinder	032	- Ø 32	015	- 15	L	- Foot Mounting	
		040	- Ø 40	020	- 20	F	- Front Flange	
		050	- Ø 50	025	- 25	B	- Female Clevis	
		063	- Ø 63	030	- 30	<small>Ø25mm Female clevis not available.</small>		
		080	- Ø 80	040	- 40			
		100	- Ø 100	050	- 50			
				060	- 60			
				070	- 70			
				080	- 80			

**Note**

For details of Accessories for Magnetic sensor, refer catalogue **Series AM4** (Page no. 1a.1.1)

**Example:**

Ordering no. for standard cylinder with 40 dia bore, 50 mm stroke with Female thread : **A61 040 050 O**

Ordering no. for standard cylinder with 40 dia bore, 50 mm stroke with Male thread : **A61 040 050 O - M**




**Note:**

If ordered as 40 dia, 50 mm stroke cylinder, Basic cylinder **A61 040 050 O** will be supplied.

For repeat order when the details are taken from cylinder nameplate, mention the mounting style separately.

For ordering **Accessories** refer corresponding tables for part numbers.

For ordering individual **Mounting** kits ( If needed separately ) the order numbers are as below

Cylinder bore Ø	Foot mounting *	Flange *	Female clevis *
			
25	ML2025	MF1025	NA
32	ML2032	MF1032	MB1032
40	ML2040	MF1040	MB1040
50	ML2050	MF1050	MB1050
63	ML2063	MF1063	MB1063
80	ML2080	MF1080	MB1080
100	ML2100	MF1100	MB1100

\* Supplied with 4nos. of screws

For your special requirements of cylinders or for further informations contact your regional dealer or **JANATICS**

Subject to change