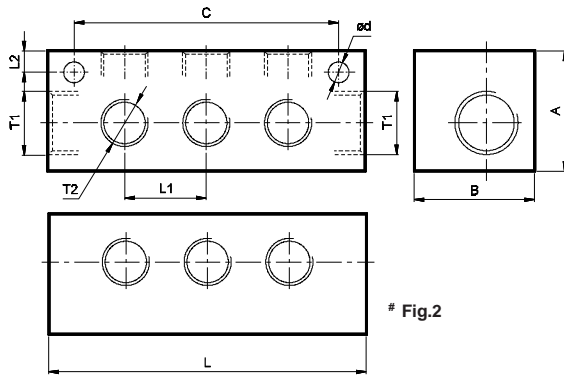
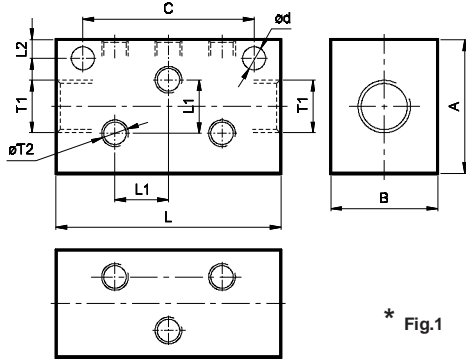


# JUNCTION BOX

## Series WJ

Cat No WJ - 01 - 02

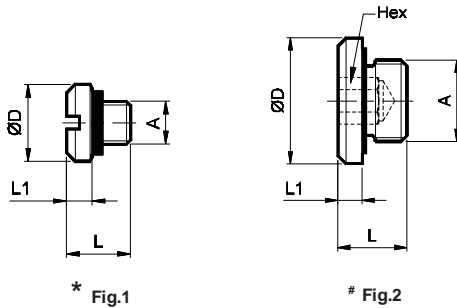
### Type WJ03



T1	T2	No. off T2 Ports	A	B	L	L1	L2	C	Ød	Ordering No
G1/8	* M5 x 0.8	6	25	20	42	10	3.5	32	4.5	WJ03066070
G1/4	# G1/8	6	25	25	66	17	3.5	55	4.5	WJ03066160
G3/8	# G1/4	6	30	30	82	22	6	70	5.5	WJ03066261
G1/2	# G3/8	6	38	38	100	26	6	85	6.6	WJ03066362
G1/2	# G1/2	5	40	40	117	32	6	100	6.6	WJ03056363

## ACCESSORIES

### Port Plugs



A	ØD	L	L1	Hex	Ordering No
* M5	9	7.5	4	-	WAP070
# G1/8	15.5	8.5	3	5	WAP060
# G1/4	19	10.5	4	6	WAP061
# G3/8	23	11.5	4	8	WAP062
# G1/2	28	14	5	10	WAP063

### How to Order

While ordering Junction box, mention the ordering number given in the corresponding tables.

Subject to change