

ONE TOUCH FITTINGS

Series WP3 (Mini)

Cat No WP3 - 01 - 01

MALE CONNECTOR & MALE ELBOW - Ø4 & Ø6 mm

Features

- Miniature - Save space
- Attractive design
- Compact size
- Full area of the inner bore of the tubing is available for flow of fluid
- Bubble tight sealing of tubes
- Suitable for both Nylon and PU tubing
- Easy and quick push-in connection of tube / easy removal of tube by simple pressing of collet cap
- "New design" - Stainless steel collet
- Teflon pre-coated male taper threads
- Maintenance free and long life
- The fitment and function of tubes are not affected by vibrations due to positive gripping of the tube by the collet

Applications

One-touch fittings can be effectively used in all compressed air applications

Some of the pneumatic applications include

- Pneumatic cylinders (all types)
- Directional control valves, solenoid valves and other valves
- Air preparation units like filter, regulator and lubricators
- Pneumatic control panels
- All compressed air lines, machinery of all kinds wherever pneumatic systems are used
- Pneumatic circuits in any industry

Technical Specifications

Fluid	Air #			
Max. operating pressure	10 bar			
Ambient temperature	5° - 60° C			
Threaded connection	Male: R - Taper thread, M - Metric thread			
Applicable tube material	Nylon, Polyurethane			
Applicable tube size (OD)	Ø4, Ø6 mm			
Recommended tolerance for tube OD	± 0.1 mm			
Recommended minimum wall thickness of tubes	Nylon		PU	
	Tube OD (mm)	Thickness (mm)	Tube OD (mm)	Thickness (mm)
	Ø4	1	Ø4	1
	Ø6	1	Ø6	1

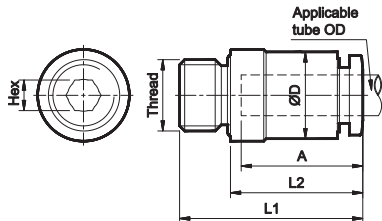
- for other fluids, contact **JANATICS**

ONE TOUCH FITTINGS

Series WP3

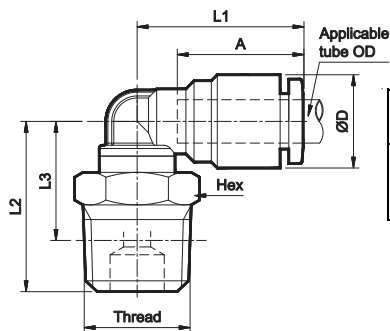
Cat No WP3 - 01 - 01

Male connector (Internal hexagon socket)



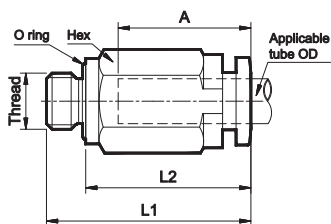
Applicable Tube OD	Thread	Hex	ØD	L1	L2	A	Ordering No
4	M5 x 0.8	2	8	18.5	15	13	WP3130470
	M7 x 1	2.5	9.8	18	12.5	12.5	WP3130472
6	M5 x 0.8	2	10	18	14.5	12.5	WP3130670
	M7 x 0.8	4	10	21	15.5	12.5	WP3130672

Male Elbow (Mini)



Applicable Tube OD	Thread	Hex	ØD	L1	L2	L3	A	Ordering No
4	M5 x 0.8	7	8.6	15.5	14	11	13	WP3210470
	R1/8	10	8.6	15.5	15.7	12.2	13	WP3210450

Male Connector (Mini)



Applicable Tube OD	Thread	Hex	L1	L2	A	Ordering No
4	M5 x 0.8	8	18.2	14.7	12.7	WP3110470

How to Order

While ordering fittings, mention the Ordering number given in the corresponding tables.